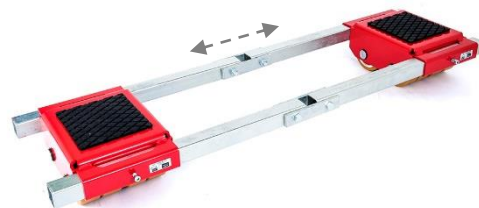


## MACHINE SKATES

Advanced high-strength steel skates with non floor damaging wheels

Load Capacity:

**20 tons each -or-  
40 tons combined**



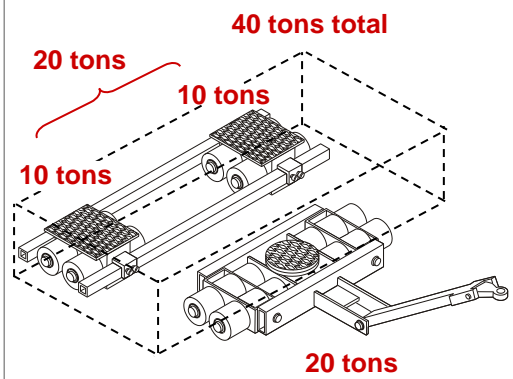
**Model A20**

Steerable Front

**Model B20**

Adjustable-Width Rear

Example of Load Distribution



3-point skate systems do not slip during pulling & tugging actions

» Each Model Sold Separately  
Mix & Match as Needed! «

Included	One steerable skate with non floor marking wheels and pulling handle.	One straight-line 2-part skate with non floor marking wheels and connecting bar.
Load Capacity Each	<b>20 tons • 40,000 lbs</b>	<b>20 tons • 40,000 lbs</b>
Load Capacity Combined <b>A20 + B20</b>	<b>40 tons • 80,000 lbs</b>	
Height (from floor to top of load pad)	7.1"	7.1"
Dimensions (Width x Length)	29.2" x 22.2" without handle	18.1" x 11.2" each skate part without bar
Load Wheel Dimensions (Ø x Width)	5.5" x 2.3"	5.5" x 2.3"
Supporting Surface (each with anti-slip load pad)	Ø 8.5"	8.7" x 7.9"
Length of Connecting Bar	n/a	60"
Pulling Handle length (with towing eye)	48"	n/a
Weight	212 lbs	194 lbs
Manufacturer • MPN	JUNG • JLB 20 G	JUNG • JFB 20 G

Free lifetime rigging & technical support hotline!

**JUWathan+®  
Wheel**



with Aluminum Core

**Patented wheel material is baked in oven over long period for elasticity and extreme toughness!**

Non floor damaging	For smooth and rough floors	Overcomes small obstacles easily by molding around them to keep rolling.	Low floor pressure	Shock absorbent	<b>Superior performance and durability over traditional polyurethane, composite or steel wheels</b>
Non floor marking	For floors with cracks and dirt	No stop, up & over action required like with other wheels.	Low break out & low rolling resistance	Reliable under toughest working conditions	
	For both inside and outside use		Low push-pull force and low manpower requirements		



**MADE IN GERMANY**

By JUNG



**5 Year Manufacturer's Warranty**

(damage due to overloading not covered)